

PYRAMAT® HPTRM ON A CHANNEL BANK

PRE-CONSTRUCTION

- A pre-construction meeting should be held with the construction team and a representative from Propex. This meeting shall be scheduled by the contractor with at least two weeks notice. Also, Propex suggests that installation monitoring of the Pyramat® HPTRM be performed by a qualified independent third party.

SITE PREPARATION

- Grade and compact area of Pyramat® HPTRM installation as directed and approved by Engineer.
- Subgrade shall be uniform and smooth. Remove all rocks, clods, vegetation or other objects so the installed mat will have direct contact with soil surface.
- Prepare seedbed by loosening the top 2-3 in (50-75 mm) minimum of soil.
- Incorporate amendments such as lime and fertilizer and/or well the soil, if needed.
- Do not mulch areas where mat is to be placed.

SEEDING

- Apply seed to soil surface before installing mat. Disturbed areas shall be reseeded.
- Consult project plans and/or specifications for seed types and application rates.

INSTALLATION ON A CHANNEL BANK

- Figure 1 shows general installation layout and details for Pyramat® HPTRM on a channel bank.
- Excavate initial trench 24 in wide x 24 in deep (600 mm x 600 mm) minimum at toe of bank (see Figure 2A). Deeper initial trench and/or hard armoring may be required on banks that have the potential for scour (see Figure 2B).
- Excavate longitudinal edge trenches 12 in wide x 12 in deep (300 mm x 300 mm) minimum along both sides of the installation to bury edges of mat (see Figure 3). The longitudinal edge trenches shall be located along the first and last installed rolls.
- Beginning at the downstream end of flow or prevailing winds, place roll end into the initial trench (with 24 in (600 mm) minimum lap) and secure with pinning devices on 12 in (300 mm) centers (see Figures 2A and 2B). Position adjacent rolls and secure in trench in same manner. Backfill and compact soil into trench as directed and approved by Engineer.
- Unroll mat up the bank over the compacted initial trench.
- Secure initial trench lap with pinning devices on 12 in (300 mm) centers (see Figures 2A and 2B).
- For applications that require rip-rap toe protection, rip-rap should be placed on the Pyramat HPTRM slope face from the initial trench at toe of slope to the channel bottom, 3 ft minimum (reference Figure 2C). Rip-rap should be sized by Engineer.
- Secure longitudinal edge trench with pinning devices on 12 in (300 mm) centers (see Figure 3).
- Continue installation as described above, overlapping adjacent rolls as follows:
 - Roll edge overlap: 6 in (150 mm) minimum overlap with upstream mat on top. Secure with one row of ground pinning devices on 12 in (300 mm) centers (see Figure 4).
 - Roll end overlap: 12 in (300 mm) minimum overlap with upslope mat on top. Secure with two rows of ground pinning devices staggered 12 in (300 mm) apart on 12 in (300 mm) centers (see Figure 5).
- Secure mat using suggested ground pinning devices for appropriate frequency and pattern shown on the Pin Pattern Guide (see Figure 6).

FIGURE 6: PIN PATTERN DETAIL

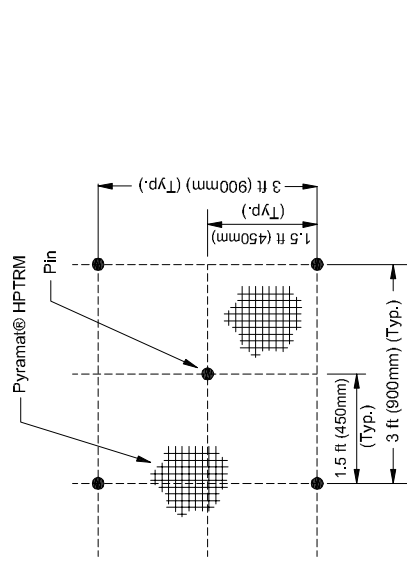


FIGURE 5: PYRAMAT® HPTRM OVERLAP AT ROLL END DETAIL

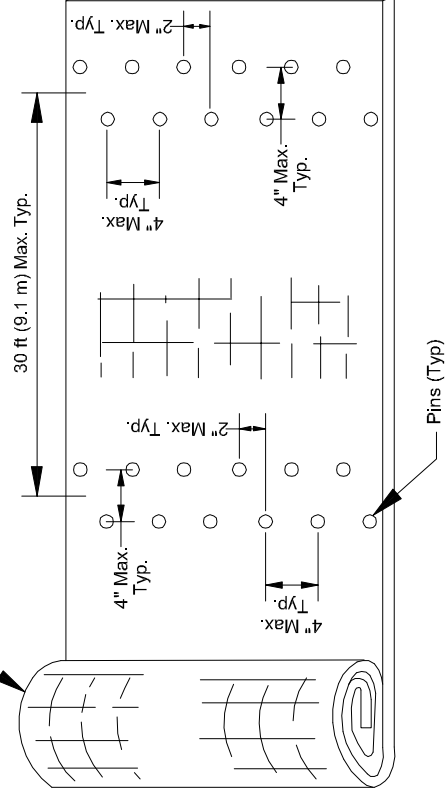
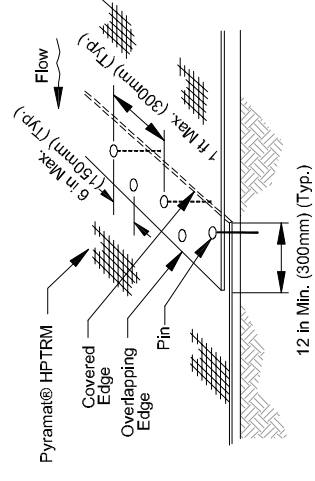


FIGURE 7: SIMULATED CHECK SLOT DETAIL

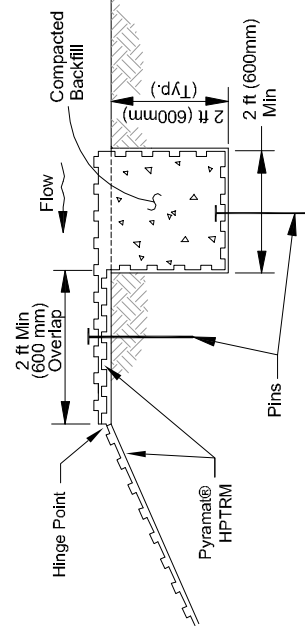


FIGURE 8: TERMINAL TRENCH (UPSTREAM) DETAIL

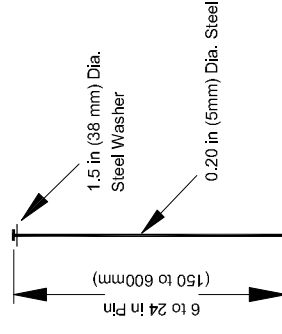


FIGURE 9: PIN DETAIL

GROUND PINNING DEVICES

- Metal pins should be at least 0.20 in (5 mm) diameter steel with a 1 1/2 in (38 mm) steel washer at the head of the pin (see Figure 9). Metal pins should be driven flush to the soil surface. Pins should be between 6-24 in (150-600 mm) long and have sufficient ground penetration to resist pullout. Longer pins may be required for looser soils. Heavier metal stakes may be required in rocky soils. Depending on soil pH and design life of the pin, galvanized or stainless steel pins may be required. Consult project plans and/or specifications for tie down device details.

SPECIAL TRANSITIONS

- For applications that require special transitions (i.e. connections to riprap, concrete, headwalls, etc.), refer to Page 6 of the Installation Guidelines for Landlock® TRMs and Pyramat® HPTRMs.

SOIL FILLING

- Installed Pyramat® HPTRM shall be re-seeded and soil-filled.
- After seeding, spread and lightly rake 1/2 - 3/4 in (12-19 mm) of fine site soil or topsoil into the mat and completely fill the voids using backside of rake or other flat tool.
- If equipment must operate on the mat, make sure it is of the rubber-tired type. No tracked equipment or sharp turns are allowed on the mat.
- Avoid any traffic over the mat if loose or wet soil conditions exist.
- Smooth soil-fill in order to just expose the top of Pyramat® HPTRM. Do not place excessive soil above the mat.
- Broadcast additional seed and install a Landlock® ECB above the soil-filled mat (if desired).
- Intigate as necessary to establish/maintain vegetation. Do not over irrigate.

Please note that the information presented herein is general information only. It is for conceptual use only and not intended to be used for construction. While every effort is made to ensure the accuracy of the information presented, Propex does not warrant or assume any liability for a specific application without independent professional examination and verification of its suitability, applicability, and accuracy.



Rev	Date	Drawn By	Scale
Δ	10/9/08	DES	N/A